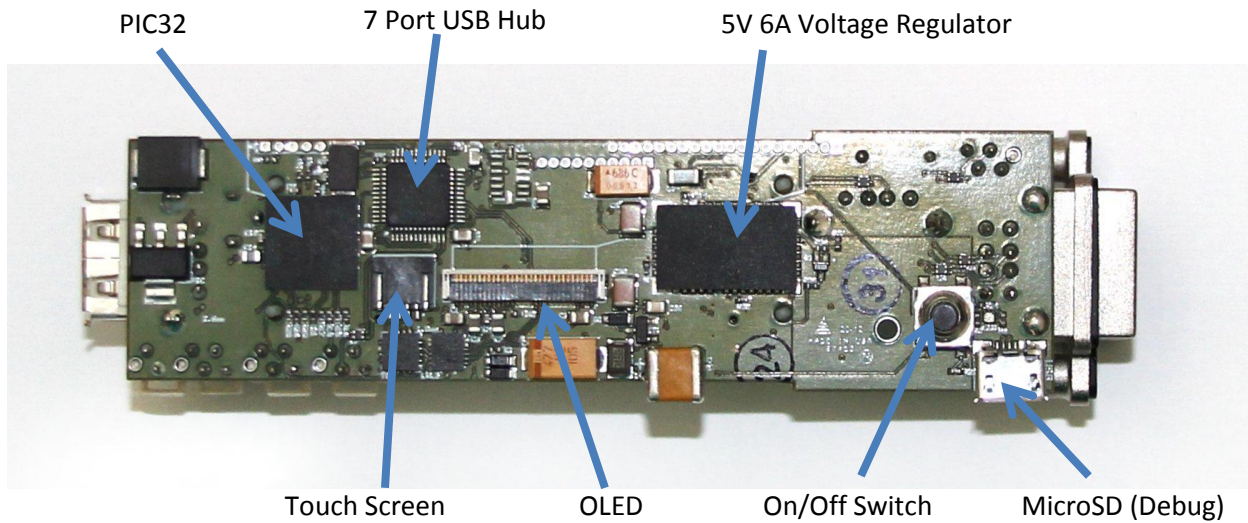
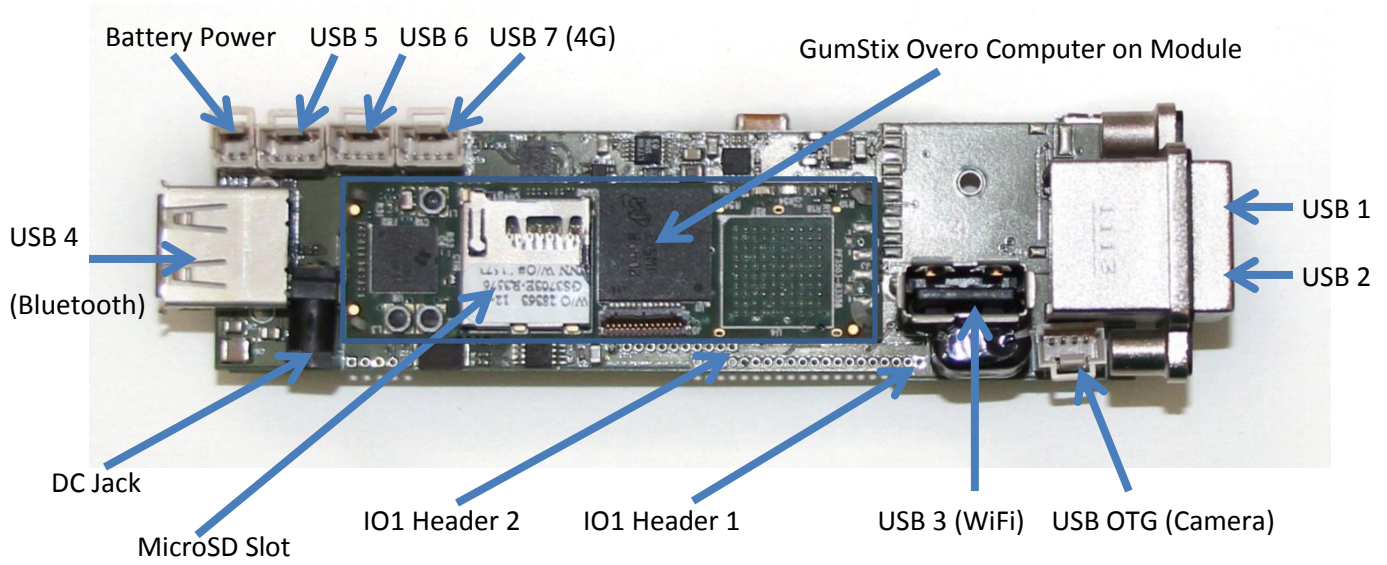


## CameraSecura PCB Rev 1.2 Expansion Capabilities



## IO1 Header 1

1	Ground	Ground
2	VSYS	3.3V
3	VIO	1.8V
4	Power3	3.3V
5	Power5	5V
6	OV_SDA	GPIO185_I2C3_SDA (Available)
7	OV_SCL	GPIO184_I2C3_SCL (Available)
8	OLED_DC	OLED Control
9	OLED_RES	OLED Reset
10	OV_SPI_CS0	SPI CS to TouchScreen
11	OV_SPI_CS1	SPI CS to OLED
12	OV_SPI_IRQ	Touch Screen IRQ
13	OV_SPI_CLK	SPI CLK to OLED
14	OV_SPI_DI	SPI DI to OLED
15	OV_SPI_DO	SPI DO to OLED
16	OV_RX1	Serial link between Overo and PIC
17	OV_TX1	Serial link between Overo and PIC
18	Ground	Ground
19	OV_RX3	Debug
20	OV_TX3	Debug

## IO Header 2

1	VOLED	12V for OLED
2	ADCIN2	ADC (Available)
3	TX5_3V3	PIC Serial Port (Available)
4	RX5_3V3	PIC Serial Port (Available)
5	SYSEN	Indicates Overo is ready for 1.8V on GPIO pins
6	GPIO71	GPIO (Available)
7	GPIO70	GPIO (Available)
8	GPIO73	GPIO (Available)
9	I2C_CLK	PIC32 I2C
10	I2C_Data	PIC32 I2C